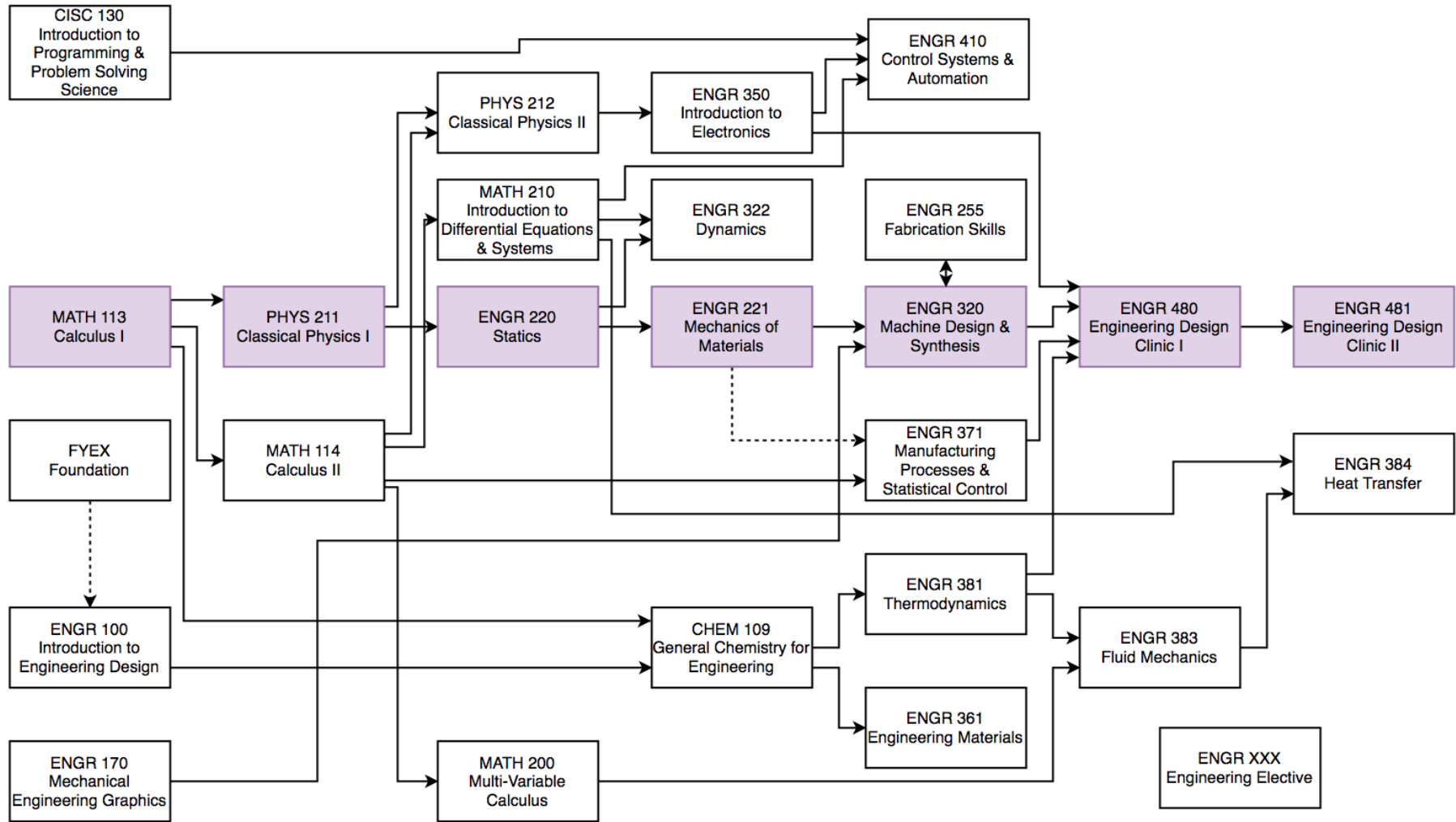


B.S. MECHANICAL ENGINEERING - Flowchart



PLUS 11 CORE Requirement Courses

* Solid arrow indicates that the course is a pre-requisite

* Dotted arrow indicates that the first course is a preferred pre-requisite, but courses can be taken concurrently

* Purple boxes are the critical course path