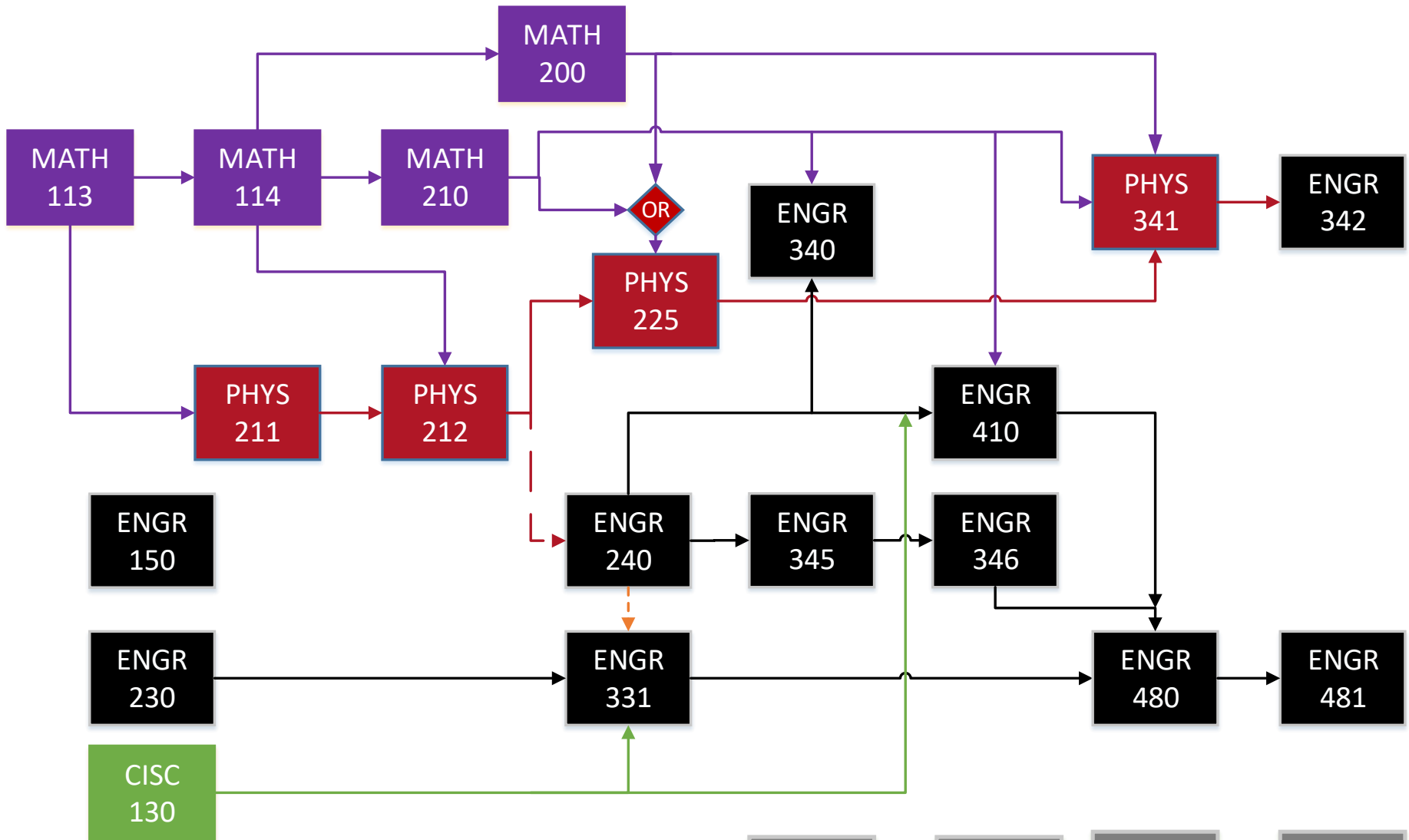


# BS Electrical Engineering

University Core Curriculum Requirements not shown.



(Solid Lines) Pre-requisites



(Dashed Lines) Concurrent Registration OR Prior Completion



## Course Pre-Requisite Table (updated: 4/10/2019)

Course	Pre-requisite	Concurrent Registration or Prior Completion
CISC 130	None	None
MATH 113	Placement into MATH 113	None
MATH 114	MATH 113 or MATH 109	None
MATH 200	MATH 114	None
MATH 210	MATH 114	None
PHYS 211	MATH 109 or MATH 113	None
PHYS 212	PHYS 211 and MATH 114	None
PHYS 225	PHYS 212 AND (MATH 200 or MATH 210)	None
PHYS 341	(PHYS 225 or 215) and MATH 210 and MATH 200	None
ENGR 150	None	None
ENGR 230	None	None
ENGR 240	None	PHYS 212
ENGR 331	CISC 130 and ENGR 230	ENGR 240 or ENGR 350
ENGR 340	ENGR 240 and MATH 210	None
ENGR 342	PHYS 341	None
ENGR 345	ENGR 240 or ENGR 350	None
ENGR 346	ENGR 345	None
ENGR 410	CISC 130 and (ENGR 240 or ENGR 350) and MATH 210	None
ENGR 480	ENGR 331 and ENGR 346 and ENGR 410	None
ENGR 481	ENGR 480	None
Technical Electives	See Pre-requisites for individual courses. <b>Students must gain in-depth understanding of one area of Electrical Engineering by completing at least two courses from one technical track. The remaining two courses can come from the same track, other EE tracks or ENGR/ETLS courses approved by the Chair.</b> For more details read about Technical Tracks at: <a href="https://www.stthomas.edu/media/engineeringsoftware/files/ugpdf/ElectiveTracksforBSEEstudents.pdf">https://www.stthomas.edu/media/engineeringsoftware/files/ugpdf/ElectiveTracksforBSEEstudents.pdf</a>	